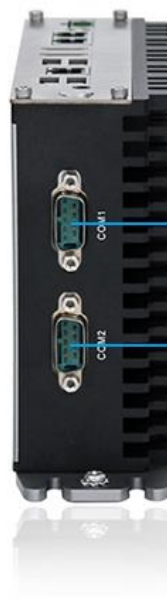
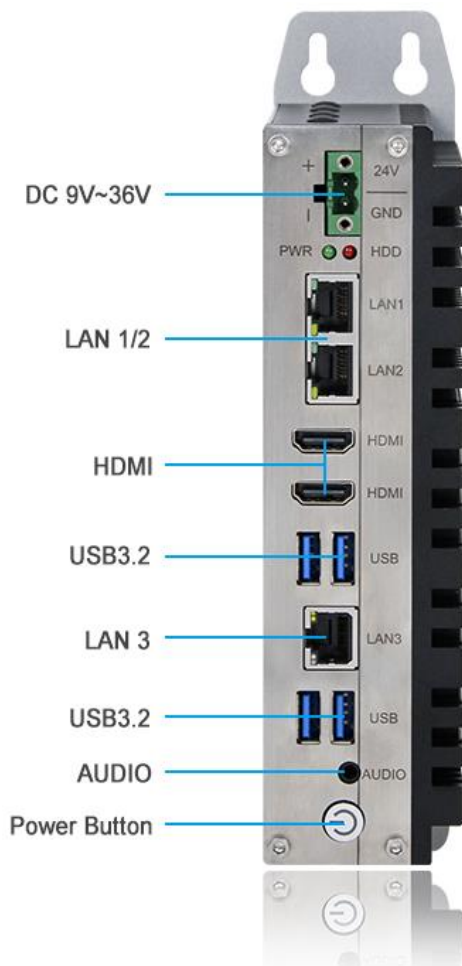


IPCI-ID-Series: INDUSTRIAL DIN-Rail PC

Product Features

- Intel Core i3 1215U
- Intel Core i5 1235U
- 4 - 64GB DDR5 RAM
- 2 x 2.5Gb-LAN / 1 x 1Gb-LAN
- 3 x COM (RS-232 / 422 / 485)
- 4 x USB 3.2 Gen2USB
- Aluminium housing
- Operating Temp. -30°C to 70°C
- Input voltage range 9~36VDC
- Optional: WLAN, BT, LTE



2 x RS-232 / 422 / 485



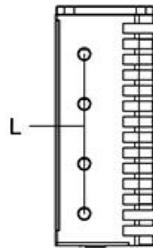
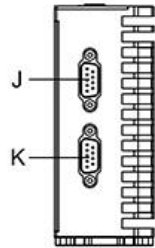
WiFi / Bluetooth / 4G / 5G

Specifications

System			
CPU	12th Gen Intel Core i3-1215U	12th Gen Intel Core i5-1235U	12th Gen Intel Core i7-1255U
L2 Cache	10MB	12MB	12MB
TDP	15W	15W	15W
Graphics	Intel UHD Graphics	Intel Iris Xe Graphics	Intel Iris Xe Graphics
System Chipset	Integrated with Intel SoC		
Memory	DDR5 4800 MHz, Dual Channel SODIMM x 2, up to 64GB		
Harddisk	1 x M.2 120G SSD (250G / 500G / 2TB SSD) / 1 x 2.5" SATA		
Network	Intel 226-V / I219-LM GbE LAN		
Audio	Realtek ALC897 Audio controller		
TPM	TPM 2.0		
Watchdog Timer	Software Programmable Supports 1~255 sec. System Reset		
Operation System	Windows 10 / 11, Linux, Ubuntu		
I / O			
VIDEO	2 x HDMI		
Ethernet	2 x 2.5GbE / 1x 1GbE		
USB	4 x USB 3.2 Gen2		
COM	2 x RS-232 / 422 / 485 (Adjustable through BIOS)		
Audio	1x Audio_out & Mic_in		
Expansion			
M.2	1 x M.2 (Key-E, 2230, PCIe+USB, Wifi+BT)		
	1 x M.2 (Key-B, 2242/3052, PCIe / USB 3.0+USB2.0, 4G/5G)		
	1 x M.2 (Key-M, 2280, PCIe x4 NVMe/ SATA, SSD)		
SIM Socket	1 x SIM Socket		
Power			
Power Adapter	1 x Optional AC/DC 12V/5A , 60W		
Power Mode	Support AT, ATX Mode		
Power Input	2-pin Terminal Block Connector with Power Input 9~36VDC		
Power Protection	OVP (Over Voltage Protection) OCP (Over Current Protection) RPP (Reverse Polarity Protection)		
Power Consumption	≤45W		

Physical	
Material	Aluminum Alloy Shell
Color	Grey / Silver / Black
Mounting	200 x 25 mm / DIN-Rail
Product Dimension	185 x 116 x 50 mm
Packing Size	360 x 180 x 320 mm
Weight (Net)	1.2 KG
Environment	
Operating Temperature	-30~70°C
Storage Temperature	-40~85°C
Relative Humidity	10% to 95% (non-condensing)
Vibration Protection	1.5 Grms, IEC 60068-2-64, random, 5 ~ 500 Hz, 1 hr/axis
EMC	CE, FCC, Class A, ROHS

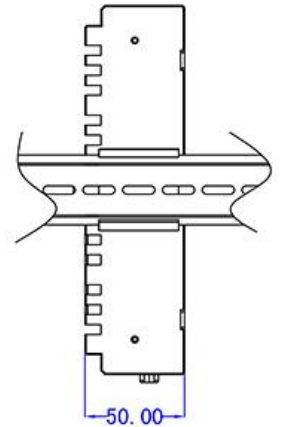
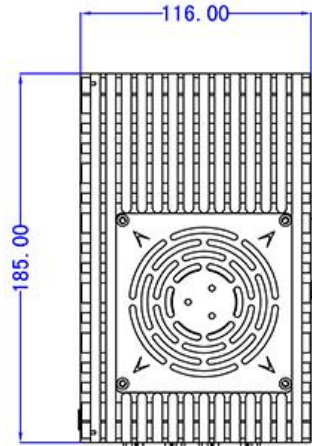
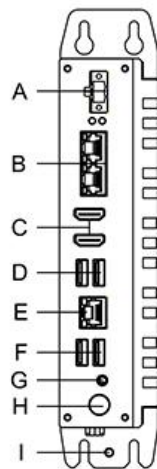
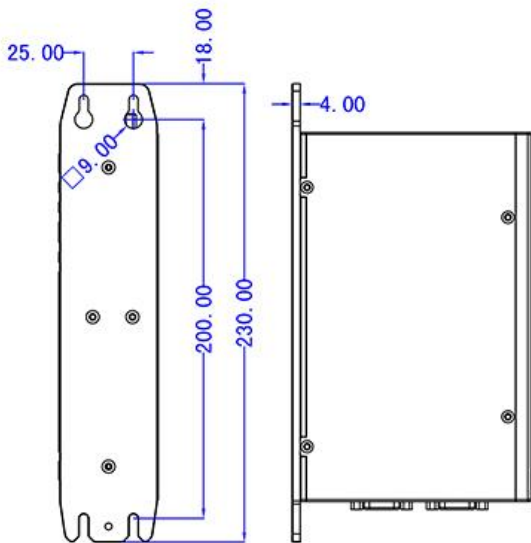
Dimensions



I/O Definition:

- A: DC 9V-36V
- C: 2 x H-DIMI
- E: LAN 3
- G: AUDIO
- I: GND
- K: COM2

- B: 2 x LAN 1 / 2
- D: 2 x USB3.2
- F: 2 x USB3.2
- H: Power Button
- J: COM1
- L: ANT



Wall mounting/DIN-rail mounting supported



DIN-rail mounting

Wall mounting