

FUTURE **LED**

OUTLAW SERIES

Outdoor Pixel Pitch Series

P1.5、 P1.875、 P2.5

IP65 FRONT&REAR



Outlaw series

Panel Dimensions

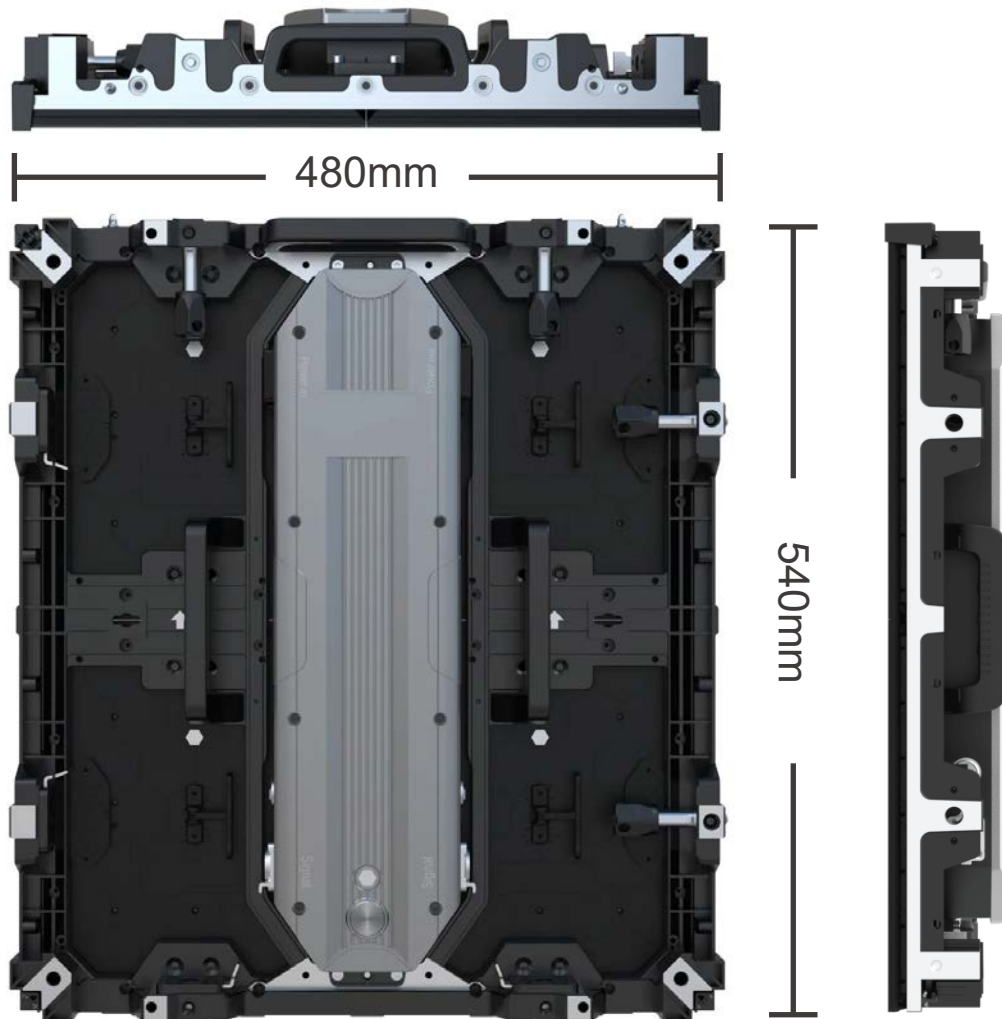
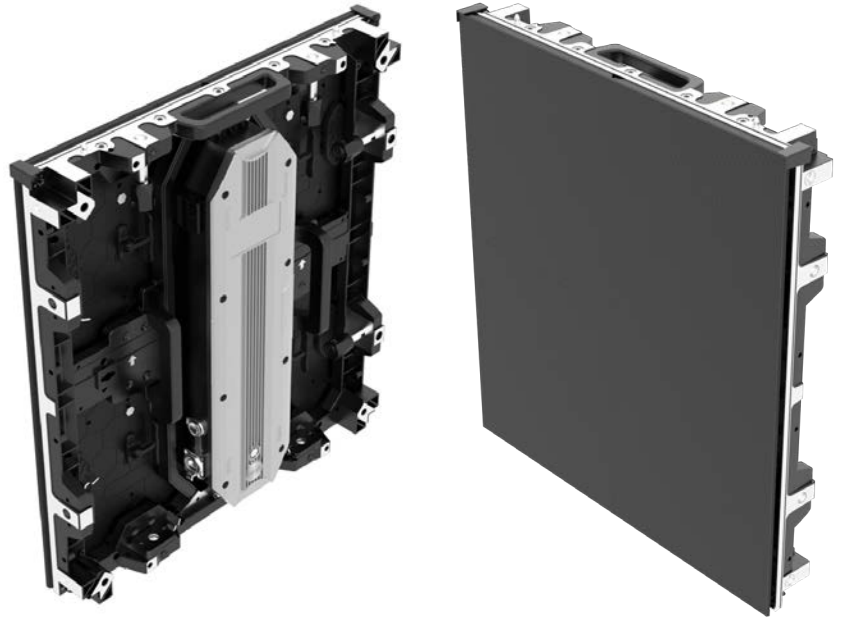
Width:480mm

Height:540mm

Thickness:66mm

Weight:9.5kg

Width height ratio: 8:9



Outlaw series

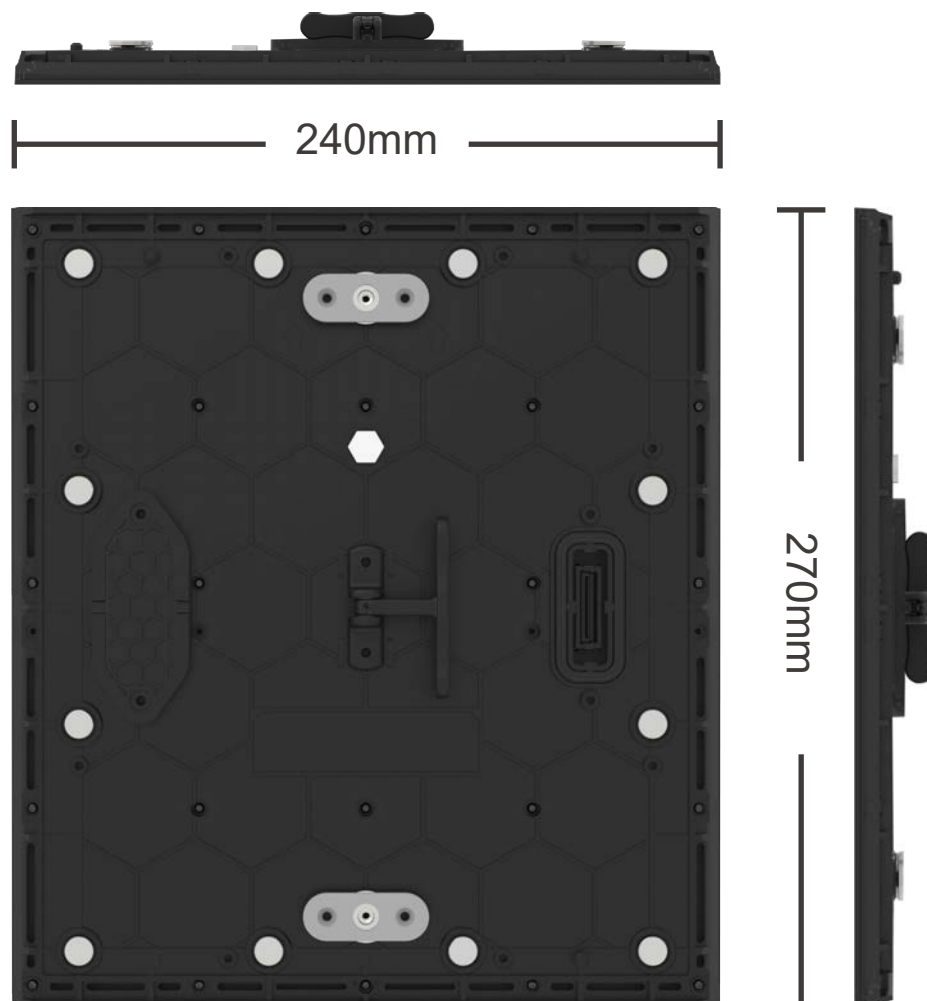
Module dimensions

Width:240mm

Height:270mm

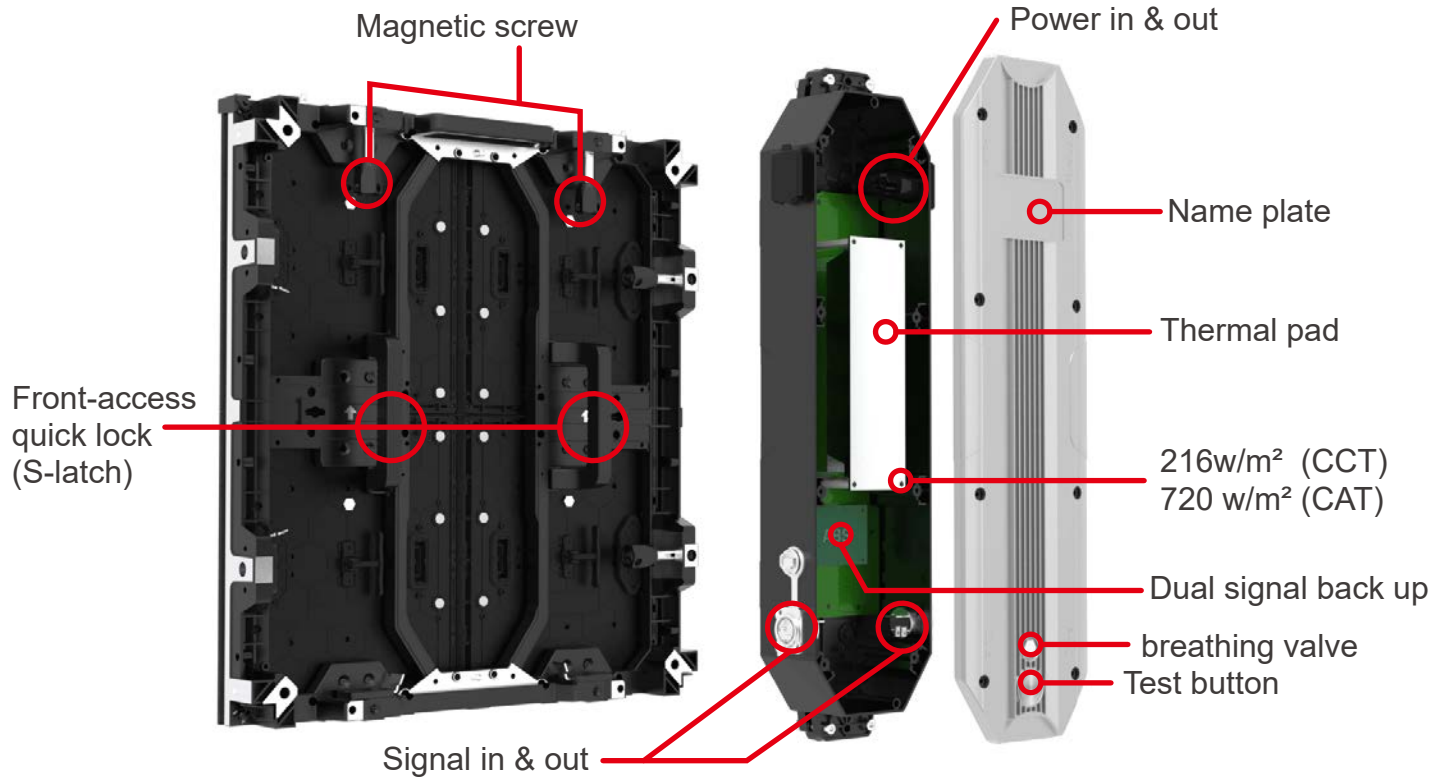
Thickness:13.5mm

Weight:9.5kg

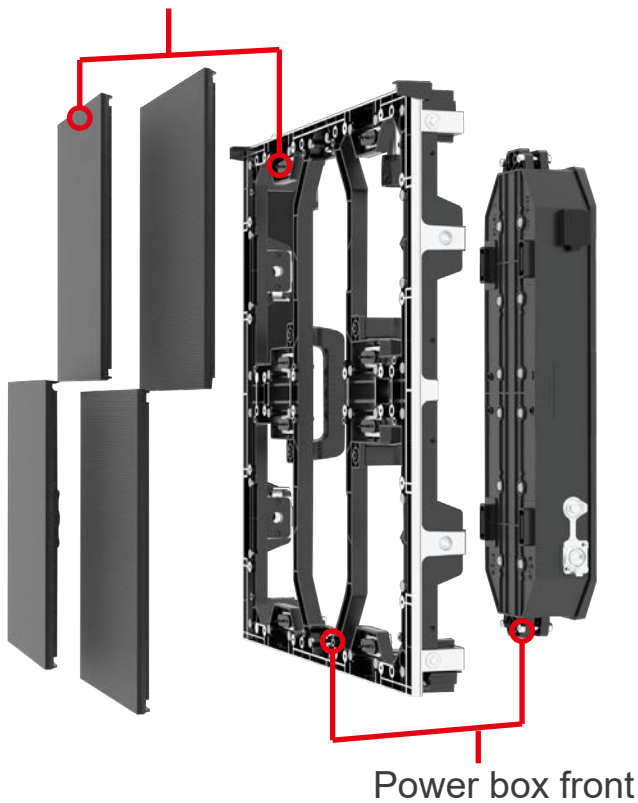


Outlaw series

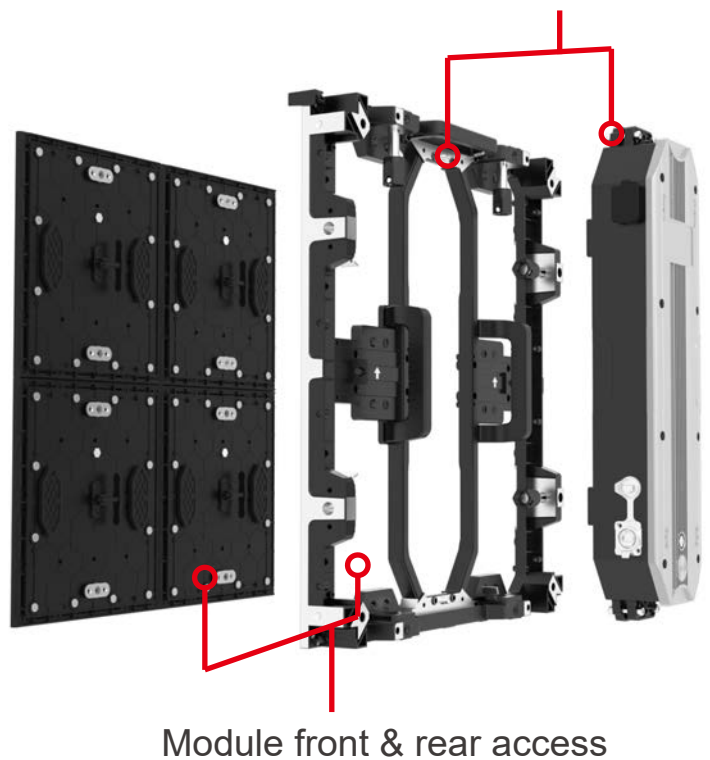
Components



Module front and Rear



Power box front & rear access

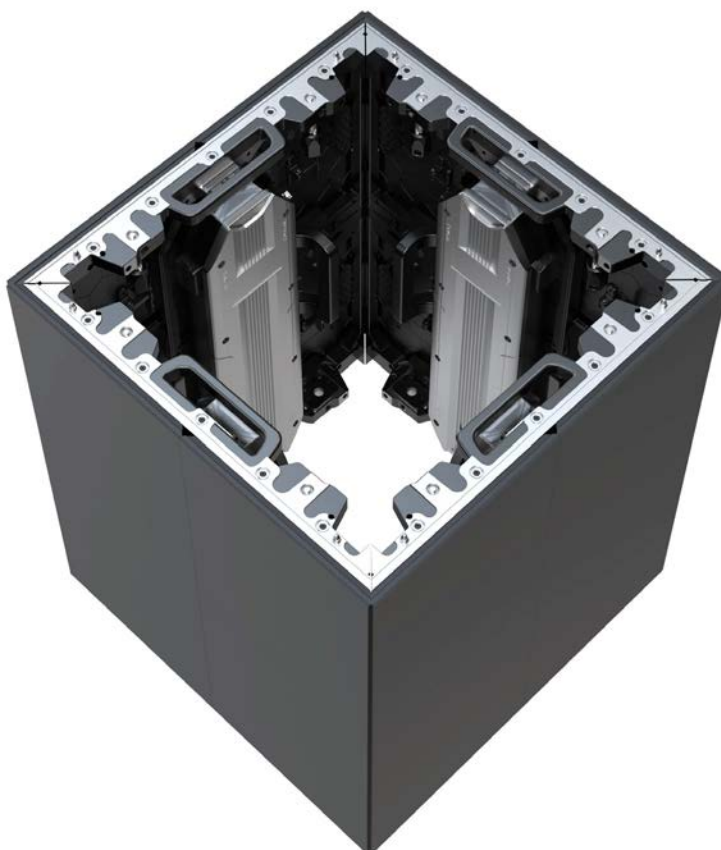
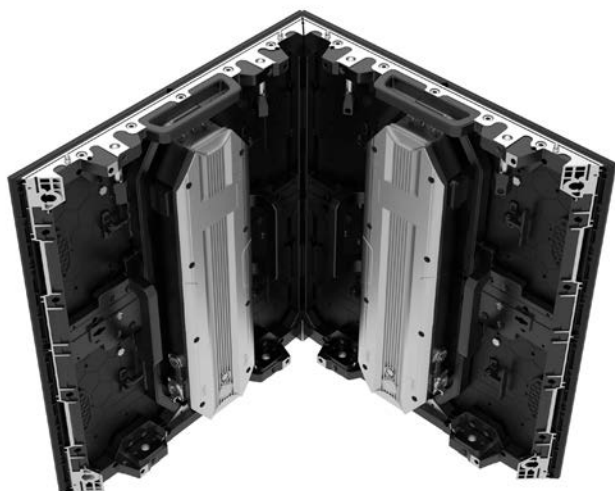


Outlaw series

90 degree corner sharp
45 degree cut module & cabinet,
to be smallest corner gap

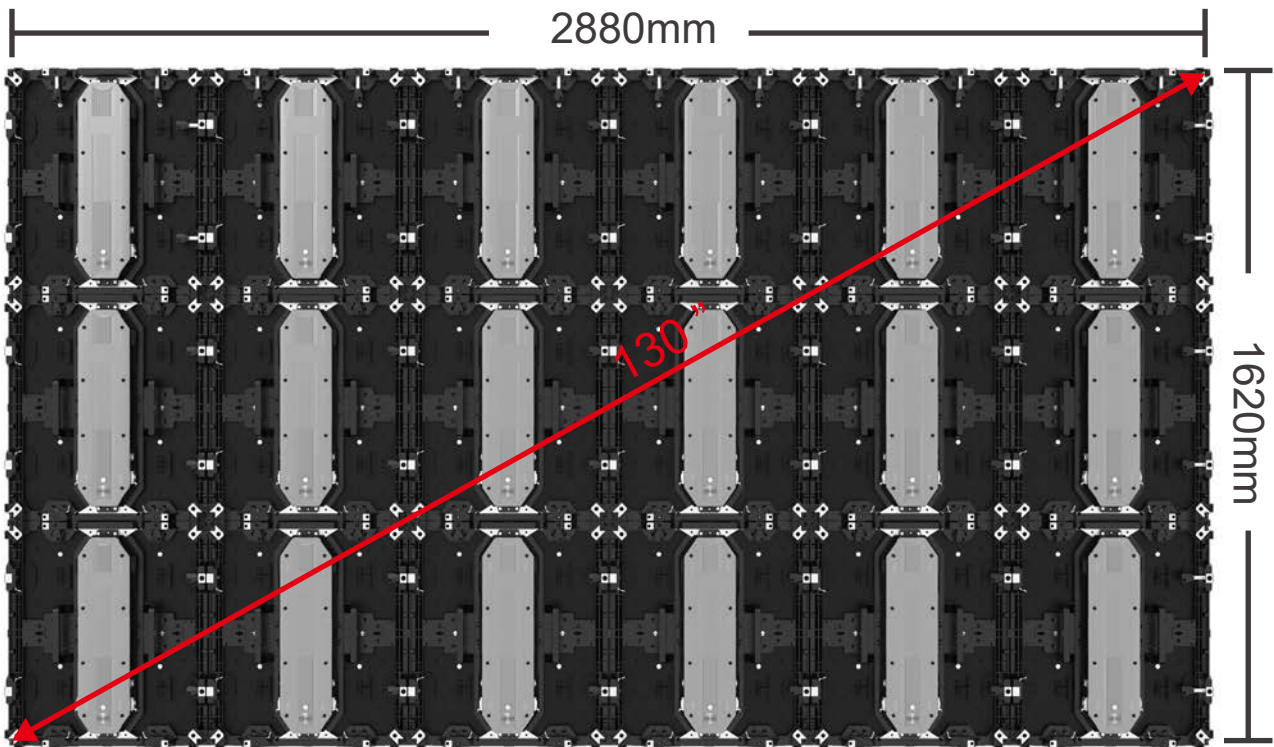
VQ the thinnest fixed
product with 90° connection

Die-casting module
(High precision alignment)

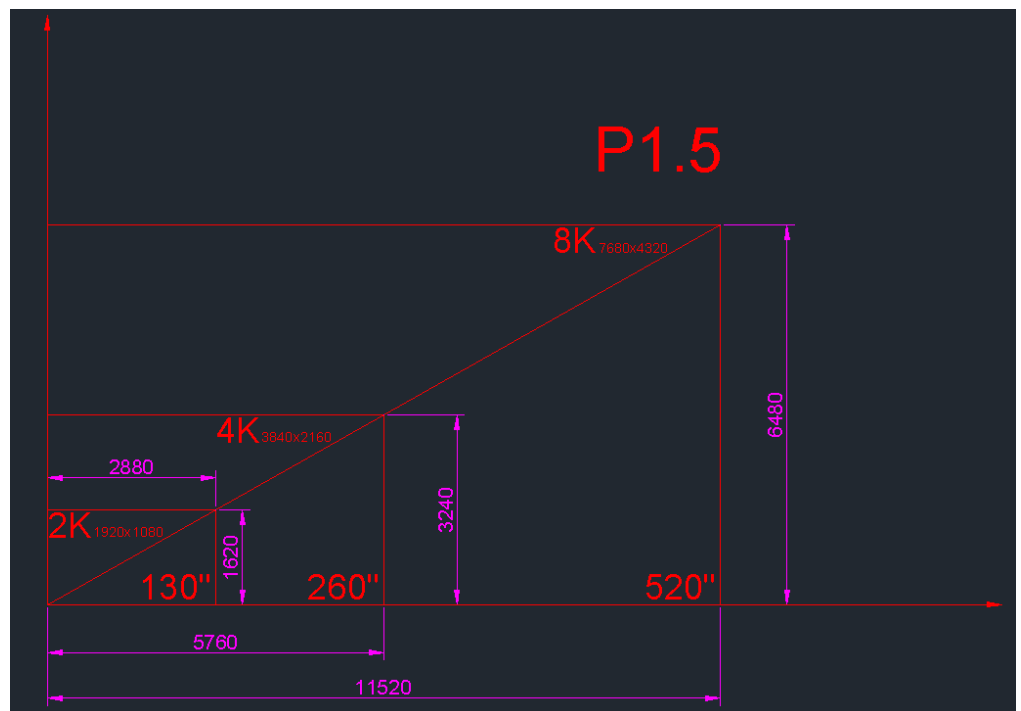


Outlaw series

8:9 cabinet ratio
standard aspect ratio perfectly achieve full HD
4K,8K resolutions



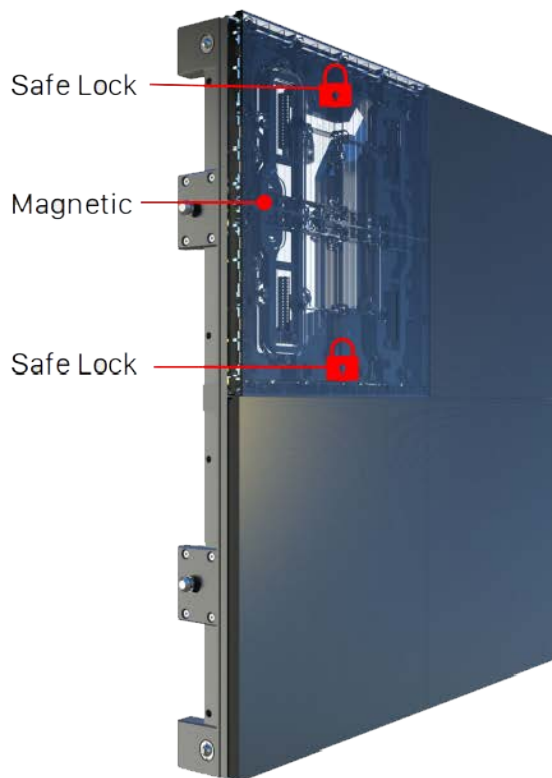
P1.5 2k Resolutions



Outlaw series

S-latch (Front-access quick lock)

Safe + Magnetic Front Lock



PREVENT THEFT

Invisible but higher security level locking



SHOCKPROOF

Suitable for the mobile screens or installed near the railway or earthquake areas



PREVENT FALLING OFF

Don't worry about the modules falling in strong winds or bad weather

FULL FRONT MAINTENANCE

Maintenance tool



Outlaw series

Module

8:9 Ratio

Diecasting Aluminum frame

	Product Name			
	Physical Pitch	P1.5	P1.875	P2.5
Mechanical	Pixel Density (m2)	444,444pixels/m ²	284,444pixels/m ²	160,000pixels/m ²
	Pixel Density (Panel)	115,200pixels/panel	73,728pixels/panel	41,472pixels/panel
	LED Module Dimensions (mm)	240 × 270	240 × 270	240 × 270
	Panel Dimensions (W × H × D) (mm)	480 × 540 × 70	480 × 540 × 70	480 × 540 × 70
	No. of Modules Per Panel (W × H)	2 × 2	2 × 2	2 × 2
	Physical Resolution of Module (W × H)	160 × 180	128 × 144	96 × 108
	Physical Resolution of Panel (W × H)	320 × 360	256 × 288	192 × 216
	Weight Per Panel	9.5kg/panel	9.5kg/panel	9.5kg/panel
	Weight Per m	36.6kg/m ²	36.6kg/m ²	36.6kg/m ²
	Cabinet Material	Aluminum	Aluminum	Aluminum
	Servicing	Front and Rear	Front and Rear	Front and Rear
IP Rating	Front IP 65, Back IP54	Front IP 65, Back IP54	Front IP 65, Back IP54	
Optical/ Video	Brightness (after Cal.)	>4000nits	>4000nits	>3500nits
	Refresh Rate	1920-3840HZ	1920-3840HZ	1920-3840HZ
	Horizontal Viewing Angle	160°	160°	160°
	Vertical Viewing Angle	160°	160°	160°
	Color temperature	/	/	/
	- Default	8000K ± 500K	8000K ± 500K	8000K ± 500K
	-Adjustable range	3500~12,000K	3500~12,000K	3500~12,000K
	Processing	14bit	14 bit	14 bit
	Colours	281 trillion	281 trillion	281 trillion
	Contrast Ratio	4,000 : 1	4,000 : 1	4,000 : 1
Electrical/ Environmental	Average Power Consumption	216w/m ²	216 w/m ²	216 w/m ²
	Max Power Consumption	720 w/m ²	720 w/m ²	720 w/m ²
	Operating Temp/Humidity	-20 ~ 50 ° C/ 10% ~ 90%	-20 ~ 50 ° C/ 10% ~ 90%	-20 ~ 50 ° C/ 10% ~ 90%
	Storage Temp/Humidity	-30 ~ 60 ° C/ 10% ~ 95%	-30 ~ 60 ° C/ 10% ~ 95%	-30 ~ 60 ° C/ 10% ~ 95%
	Expected LED Lifetime (Max)	100,000 Hrs	100,000 Hrs	100,000 Hrs