

FUTURE LED

TOPCOB High-End Common Cathode
PH0.9375、PH1.17、PH1.25、PH1.5625、PH1.875、PH2.5、PH3.75

ECO RENTAL SERIES



Seamless



Optimized
Cooling



Good
Flatness



Slow Temp
Rise



Long
Lifetime



Fanless



Quiet



Automatic
Alarm

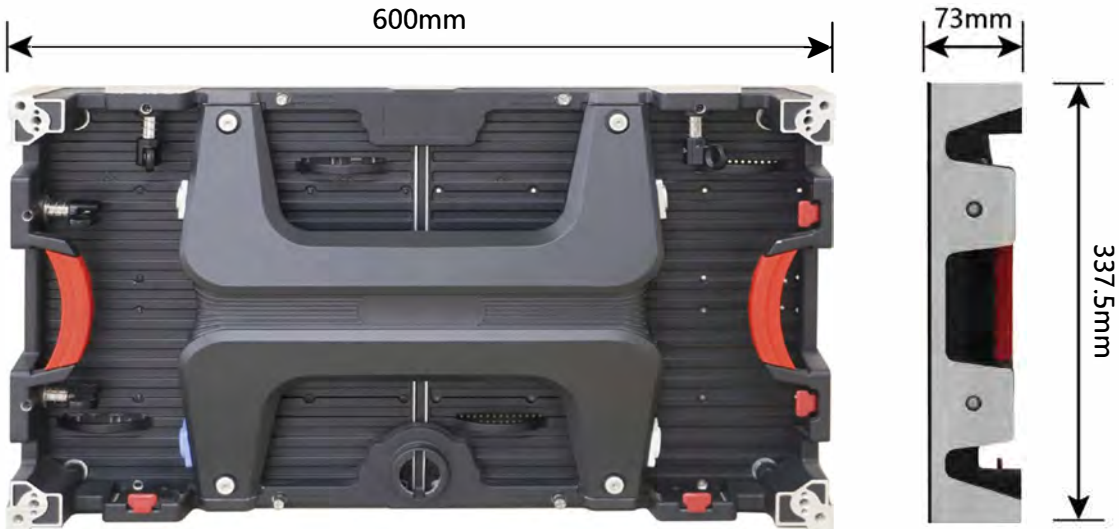


Low Failure
Rate



Safety

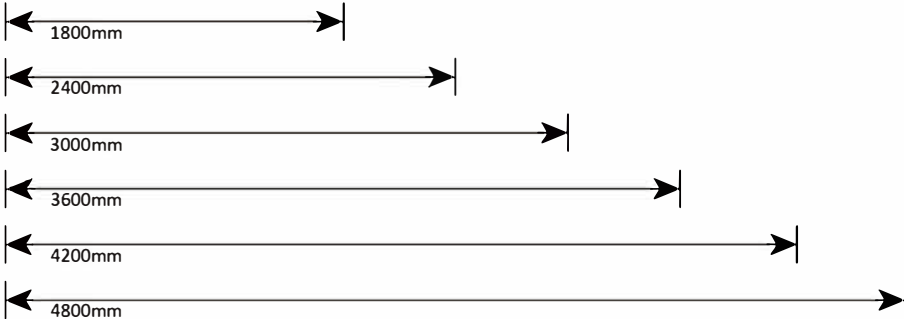
Product appearance



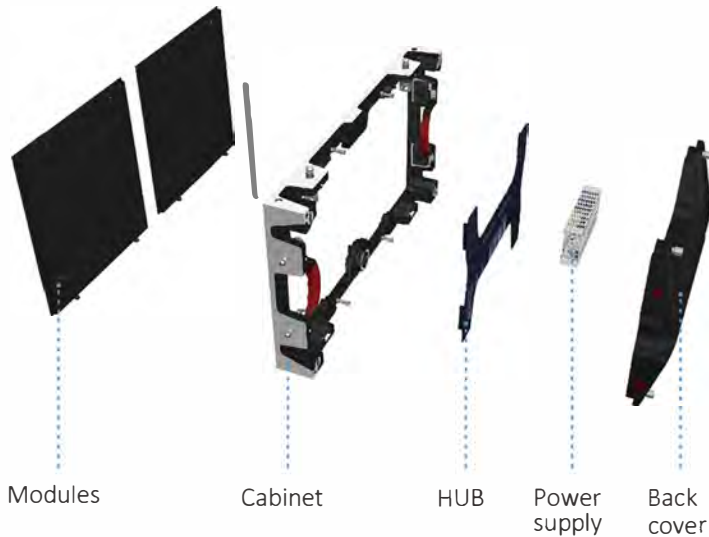
Common Cathode High Brightness Series
 New 16:9 design, carrying the brand of high-end common cathode constant
 High-end common cathode rental industry pioneer product series. (Minimum pixel is P 0.9)



16:9 golden ratio, easy to display standard 1080P, 4K or even 8K pictures, there will be no picture stretching cash.



High-End common cathode, Energy saving and high brightness,HDR imaging



Simple combination achievement extraordinary experience, 16:9 visual proportion,can satisfy 8K giant curtain point-to-point high-definition display, product internal highly integrated, disassembly and maintenance more handy, hot plug, Each cabinet weighs 7.18KG, 58MM thickness, integration TOPCOB special processing, meet the lamp surface waterproof, collision-proof,dust-proof, washable and other protection.

Completely Front Maintenance



Step 1: Place the magnetic tool against the cabinet.



Step 2: Attach the magnetic surface of the magnetic tool to the module and make sure it is approximately in the middle of the module.



Step 3: Gently pull the magnetic tool out, and the module will be separated from the box immediately.



Step 4: Install the replaced module through the magnetic tool and install it back in the same way.



16: 9



4K HD



Installation
Thickness <10cm



Visual gamut



Light and
thin design



Compatible
before and
after application



Front and
rear maintenance



Express setup





Fixed soul, rental lineage

Small Pixel Pitch Fixed Installation and Rental Application is a perfect combination, flexibility and changeability, ingenious and luxurious disassembly, breathing tools are light and focused.

Avant-garde design, Omnidirectional Portable Maintenance

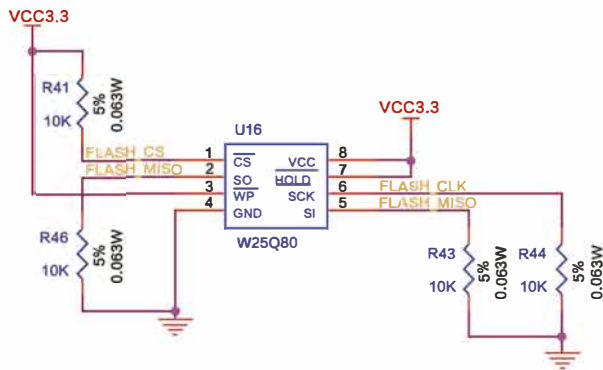
The module magnetic suction type has high precision. High standard flatness, excellent consistency performance, distributed modular design concept, disassembly and assembly before and after, maintenance more arbitrary, truly realize the integration of high efficiency application and maintenance of product users.



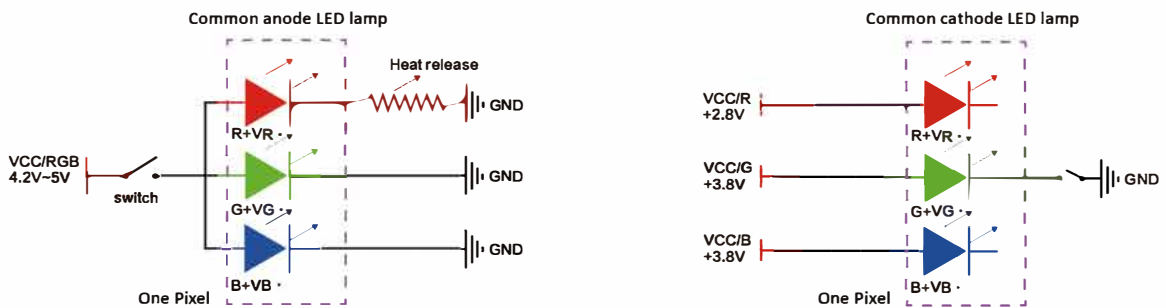
Multifunctional application

Supporting structure of alloy assemblies is lightweight, convenient, rational and even, easy to disassemble and assemble, beautiful and generous. Completely meet the landing, wall mounting, suspension hoisting has been moving in one machine-type composite assembly mode, to meet the large-scale landscape while supporting climbing function, greatly improving the installation time and cost control.

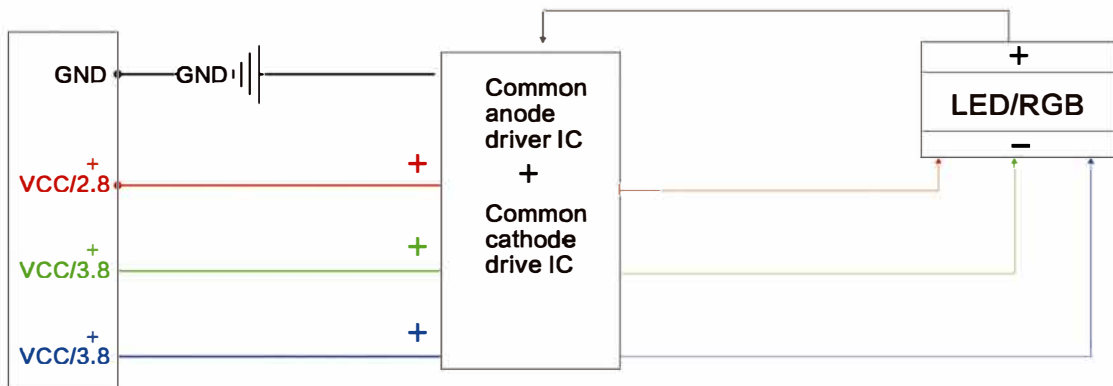
Intelligent Data Integration Solution



▲ Module Calibration Data Storage Principle.



▲ Basic difference between common cathode and common anode.
(Common cathode technology realizes RGB partial voltage power supply)



▲ Highly integrated common negative drive IC can save 30% - 40% energy compared with traditional products.

BSU63F							
MODEL	BSU63F09	BSU63F11	BSU63F12	BSU63F15	BSU63F18	BSU63F25	BSU63F37
Pixel Pitch(mm)	0.9375	1.17	1.25	1.5625	1.875	2.5	3.75
Pixel Density (pixels/sqm)	1,137,778	728,178	640,000	409,600	284,444	151,703	71,111
Cabinet Resolution	640*360	512*288	480*270	384*216	320*180	240*128	160*90
Mask	Four in one	NO	NO	Optional	NO	NO	YES
Lamp Type	MINI Four in one	SMD0808	SMD1010	SMD1010/1212	SMD1515	SMD2121	SMD2021
Cabinet Size(mm)	600*337.5*73mm						
Pixels Calibration	Standard color and brightness calibration						
Brightness	100cd~2500cd/m ² (Optional highlight)						
Gray Scale	10~24Bit						
Color Temp	2500K~10000K						
Control System	Synchronous Control						
Frame Frequency	60Hz, 120Hz						
Refresh Rate	3840Hz						
Working Voltage	AC: 110V~240V,50~60Hz						
Power Consumption	Common anode: 100w/m ² -300w/m ² Common cathode: ≤160w/m ²						
Working Voltage	Common anode: ≤760w/m ² Common cathode: ≤500w/m ²						
Lifetime(hours)	100,000						
Operating Temp(C)	-20 C~+50 C						
Storage Temp(C)	-25 C~+60 C						
Humidity Range	10%~80%, Non-condensing						
Weight	7.18kg						
Control System	nova / colorlight / brompton						