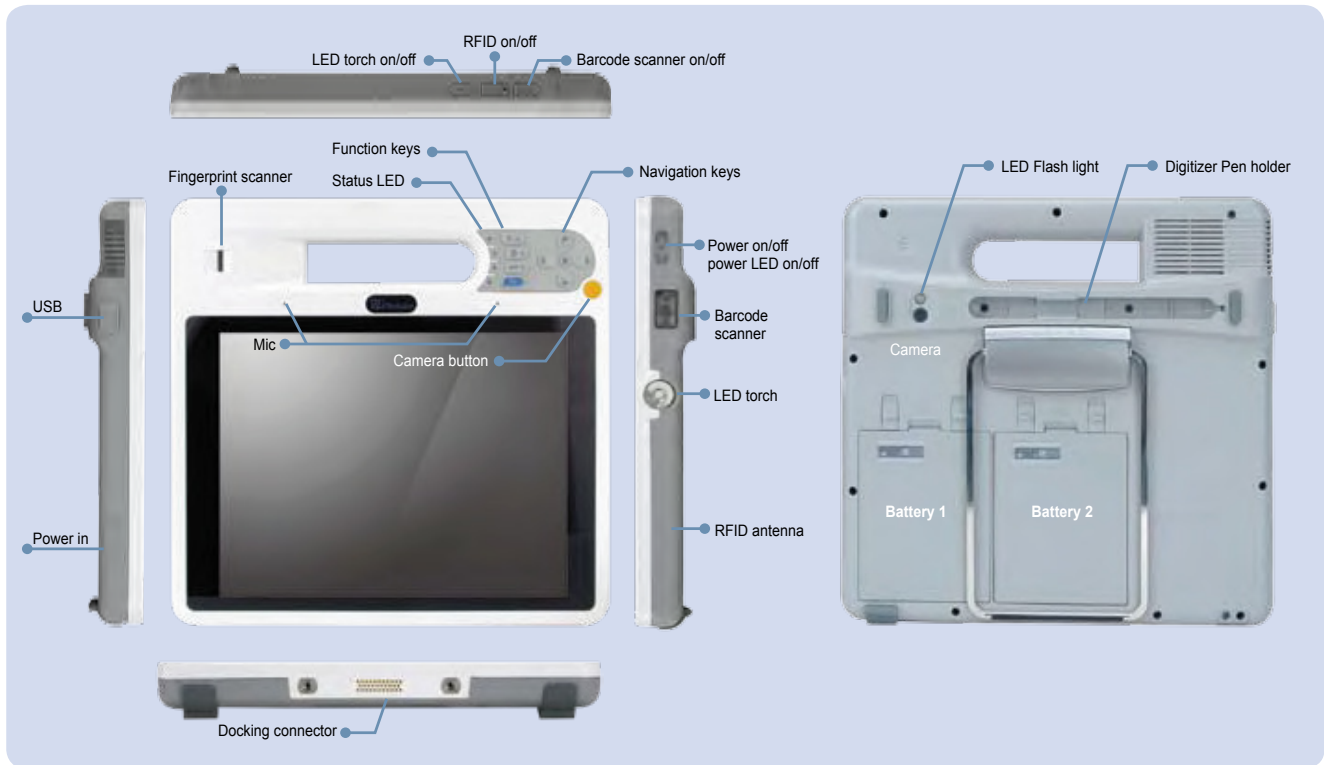


MT 1018

Medical Tablet-PC with waterproof front IP64 & many options



Compact, Slim, and Ergonomic Design

IP64 Compliant and Easy-to-Clean Plastic Housing



Ergonomic Handlebar and Hinge Stand



Handle design for easy carry



Ergonomic Grip Handle



Desk-mount stand for ease of use

Medical-grade Certification Approved



EN 60601-1
EN 60950

Slim and Lightweight Design

1.8 kg with Battery



2.54cm

Antibacterial Housing



One Key Recovery

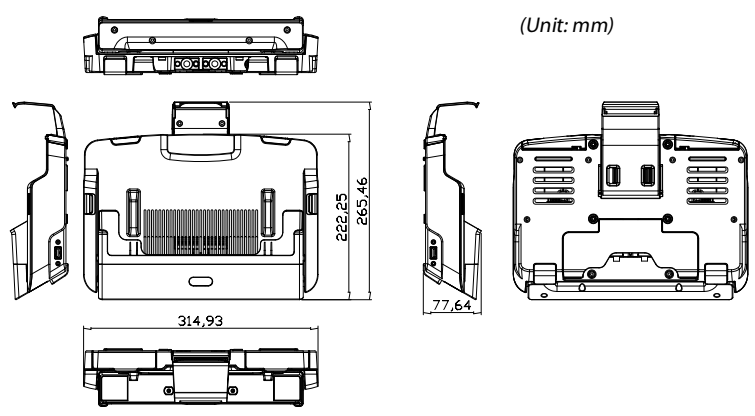
Without having to go through complicated settings, IEI One Key Recovery uses exclusive technology to recover and backup your system with just one click.

Recover the system from

- Severe virus attack
- Operating system crash
- Man-made disasters



Multi-functional Docking Station



Model	MT1018	
Display	LCD Size	10.4" TFT LCD
	Brightness (cd/m ²)	350 cd/m ²
	Max Resolution	1024 x 768 pixels XGA
	Viewing Angle	88/88/88/88 Deg.
	Touch Screen	Resistive Support Multi-touch and Gesture
	Digitizer	256 levels @ full scale pressure resolution
System	CPU	Intel® Atom™ D525 1.8GHz
	Chipset	Intel® ICH8M
	Operating System	Microsoft® Windows® 7 Embedded
	Memory	2GB DDR3 SDRAM 1333MHz
	Storage	32/64/128G optional SSD
Communication	Wireless LAN	Wi-Fi® 802.11a/b/g/n
	Bluetooth	Bluetooth® V2.1+ EDR (Class 2)
	Modem	WCDMA/HSUPA
Data Collection	Camera	3 Megapixel and LED Light
	Barcode	1D/2D Imager Scan Engine
	RFID	13.56 MHz RFID support ISO15693 and 14443A/B compliant
Indicator & Buttons	LED Indicator	Power/ Wi-Fi/Bluetooth/ RFID/ Battery Status LED
	Keys	5-way Navigation key Barcode Scanner/ RFID / LED Torch/Camera Wi-Fi/Bluetooth/SAS/Function Key
I/O Interface	USB	1 x USB 2.0
	LAN	1 x 10/100M LAN
	Audio	1 x 2W Speaker 1 x Mic in
	LED Torch	1 x LED Torch
Power	Power Adapter	12V@5A@60W
	Docking Power Adapter	19V@4.74A@90W
	Battery	Dual 11.1V 1880mAh Li-ion Battery

Environment	Operating Temperature	0°C to +40°C
	Storage Temperature	-10°C to +60°C
	Humidity	5%~95% non-condensing
	Drop Survival	1.0 M
	Environmental Protection	Front Panel IP64 compliant
Physical Characteristics	Certification	CE/FCC, Medical-grade Class B EN 60601-1 EN60950 / UL
	Dimensions (LxWxH) (mm)	270 x 265 x 29
	Weight	1788 g

